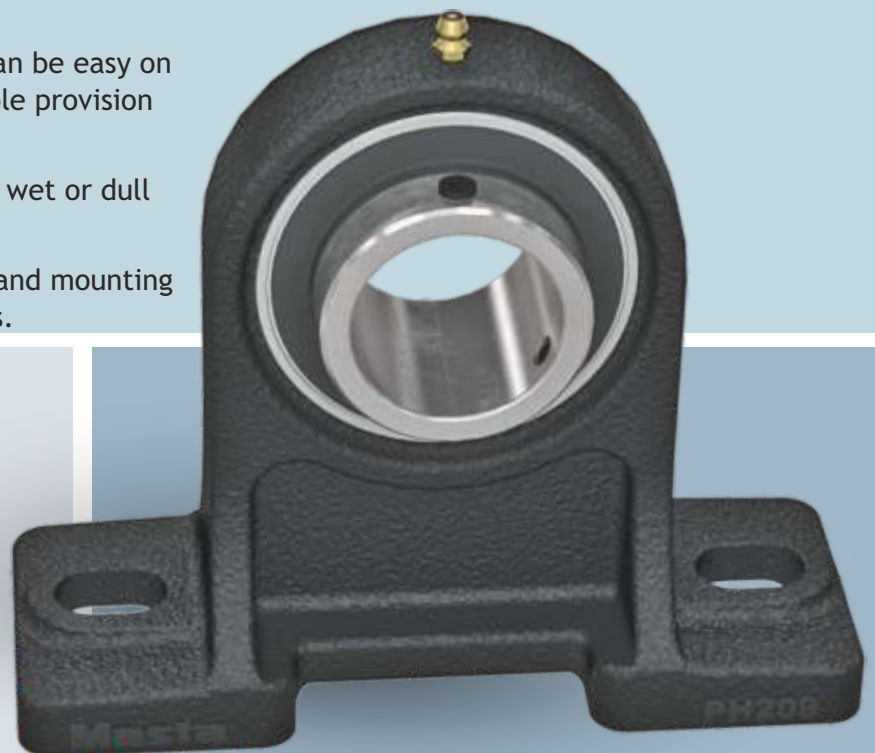


DESIGN FEATURES AND ADVANTAGES OF PH- SERIES

- These units are designed as the higher center height pillow block type unit, has high strength against impact load.
- Suitable for the machines when the distance from the bottom mounting surface to the shaft center is long.
- The insert ball bearing unit combined the spherical outer surface of the bearing match the concave shaped in inside diameter of the housing which gives the unit unique self-aligning ability.
- This one-piece housing with two foundation slots can be installed in any position and makes bearing replacement easily.
- These pillow blocks are pre lubricated, which can be easy on to install immediate necessity. With grease nipple provision for re-lubrication
- Its special bonded seal design is appropriate for wet or dull environments.
- Dimensions of base to bearing diameter center and mounting hole are interchangeable with competitive units.

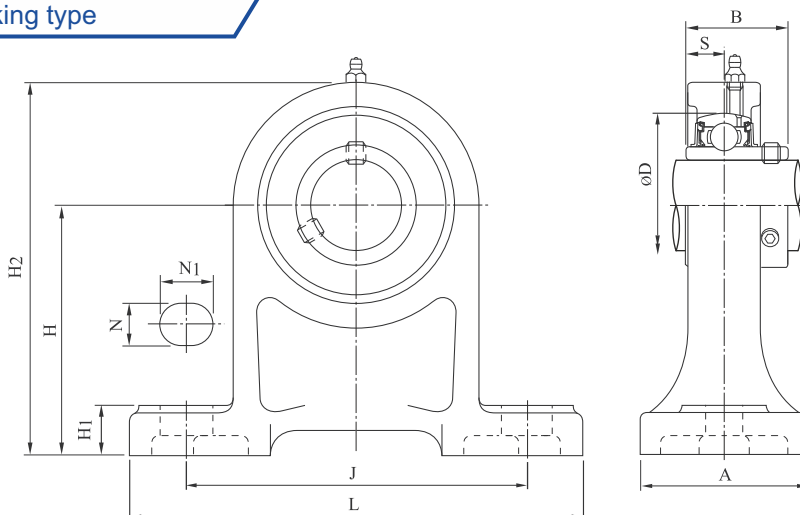
Application

- Printing machine
- Spinneret
- Machinery for general purposes.



UCPH 200 Series pillow units
with set screw locking type

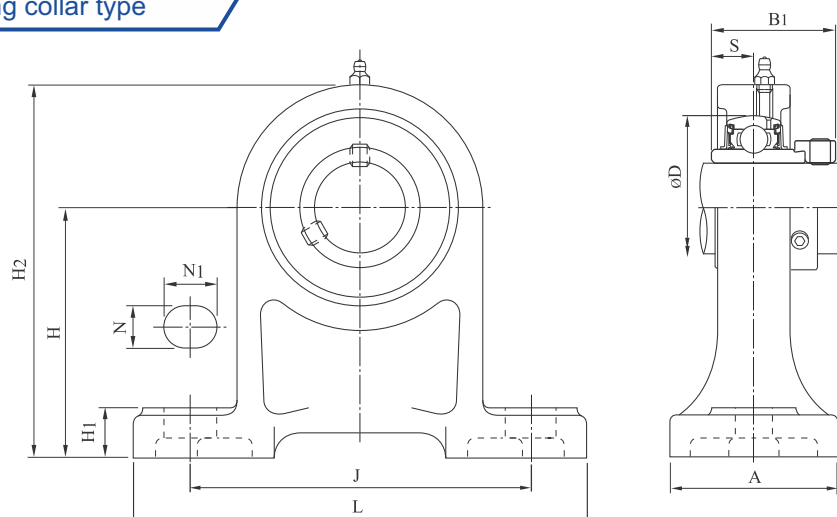
Nromal Duty



Shaft dia. mm inch	Unit number	Nominal dimensions											Bolt Size mm inch	Bearing number	Housing number	Mass (approx.)	
		ØD	H	L	J	A	N	N1	H1	H2	B	S				kg	lb
12 1/2	UCPH201 UCPH201-08	47 1.8504	70 2-3/4	127 5	95 3-3/4	40 1-9/16	13 1/2	19 3/4	15 19/32	101 3-31/32	31 1.2205	12.7 0.500	M10 3/8	UC201 UC201-08	PH204 PH204	0.9 2.0	
15 9/16 5/8	UCPH202 UCPH202-09 UCPH202-10	47 1.8504	70 2-3/4	127 5	95 3-3/4	40 1-9/16	13 1/2	19 3/4	15 19/32	101 3-31/32	31 1.2205	12.7 0.500	M10 3/8	UC202 UC202-09 UC202-10	PH204 PH204 PH204	0.9 2.0	
17 11/16	UCPH203 UCPH203-11	47 1.8504	70 2-3/4	127 5	95 3-3/4	40 1-9/16	13 1/2	19 3/4	15 19/32	101 3-31/32	31 1.2205	12.7 0.500	M10 3/8	UC203 UC203-11	PH204 PH204	0.9 2.0	
20 3/4	UCPH204 UCPH204-12	47 1.8504	70 2-3/4	127 5	95 3-3/4	40 1-9/16	13 1/2	19 3/4	15 19/32	101 3-31/32	31 1.2205	12.7 0.500	M10 3/8	UC204 UC204-12	PH204 PH204	0.9 2.0	
25 13/16 7/8 15/16 1	UCPH205 UCPH205-13 UCPH205-14 UCPH205-15 UCPH205-16	52 2.0472	80 3-5/32	142 5-19/32	105 4-1/8	50 1-31/32	13 1/2	19 3/4	16 5/8	114 4-1/2	34.1 1.3425	14.3 0.563	M10 3/8	UC205 UC205-13 UC205-14 UC205-15 UC205-16	PH205 PH205 PH205 PH205	1.2 2.7	
30 1-1/16 1-1/8 1-3/16 1-1/4	UCPH206 UCPH206-17 UCPH206-18 UCPH206-19 UCPH206-20	62 2.4409	90 3-35/64	165 6-1/2	120 4-23/32	50 1-31/32	17 21/32	21 13/16	18 23/32	130 5-1/8	38.1 1.5000	15.9 0.626	M14 1/2	UC206 UC206-17 UC206-18 UC206-19 UC206-20	PH206 PH206 PH206 PH206	1.8 4.0	
35 1-1/4 1-5/16 1-3/8 1-7/16	UCPH207 UCPH207-20 UCPH207-21 UCPH207-22 UCPH207-23	72 2.8346	95 3-47/64	166 6-17/32	127 5	60 2-3/8	17 21/32	21 13/16	18 23/32	140 5-1/2	42.9 1.6890	17.5 0.689	M14 1/2	UC207 UC207-20 UC207-21 UC207-22 UC207-23	PH207 PH207 PH207 PH207	2.3 5.1	
40 1-1/2 1-9/16	UCPH208 UCPH208-24 UCPH208-25	80 3.1496	100 3-15/16	184 7-1/4	136 5-11/32	70 2-3/4	17 21/32	21 13/16	20 25/32	150 5-29/32	49.2 1.9370	19 0.748	M14 1/2	UC208 UC208-24 UC208-25	PH208 PH208 PH208	3.2 7.1	
45 1-5/8 1-11/16 1-3/4	UCPH209 UCPH209-26 UCPH209-27 UCPH209-28	85 3.3465	105 4-9/64	190 7-15/32	146 5-3/4	70 2-3/4	17 21/32	22 7/8	20 25/32	158 6 7/32	49.2 1.9370	19 0.748	M14 1/2	UC209 UC209-26 UC209-27 UC209-28	PH209 PH209 PH209	3.5 7.7	
50 1-13/16 1-7/8 1-15/16 2	UCPH210 UCPH210-29 UCPH210-30 UCPH210-31 UCPH210-32	90 3.5433	110 4-21/64	206 8-1/8	159 6-1/4	70 2-3/4	20 25/32	22 7/8	22 7/8	165 6-1/2	51.6 2.0315	19 0.748	M16 5/8	UC210 UC210-29 UC210-30 UC210-31 UC210-32	PH210 PH210 PH210 PH210	3.9	

UELPH 200 Series pillow units
with eccentric locking collar type

Nromal Duty



Shaft dia. mm inch	Unit number	Nominal dimensions											Bolt Size mm inch	Bearing number	Housing number	Mass (approx.)	
		ØD	H	L	J	A	N	N1	H1	H2	B1	S				kg	lb
20 3/4	UELPH204	47	70	127	95	40	13	19	15	101	43.7	17.1	M10	UEL204	PH204	0.9	
	UELPH204-12	1.8504	2-3/4	5	3-3/4	1-9/16	1/2	3/4	19/32	3-31/32	1.720	0.673	3/8	UEL204-12	PH204	2.0	
25 13/16 7/8 15/16 1	UELPH205	52	80	142	105	50	13	19	16	114	44.4	17.45	M10	UEL205	PH205	1.3	
	UELPH205-13													UEL205-13	PH205		
	UELPH205-14	2.0472	3-5/32	5-19/32	4-1/8	1-31/32	1/2	3/4	5/8	4-1/2	1.748	0.687	3/8	UEL205-14	PH205	2.9	
	UELPH205-15													UEL205-15	PH205		
30 1-1/16 1-1/8 1-3/16 1-1/4	UELPH206	62	90	165	120	50	17	21	18	130	48.4	18.25	M14	UEL206	PH206	1.9	
	UELPH206-17													UEL206-17	PH206		
	UELPH206-18	2.4409	3-35/64	6-1/2	4-23/32	1-31/32	21/32	13/16	23/32	5-1/8	1.906	0.719	1/2	UEL206-18	PH206	4.2	
	UELPH206-19													UEL206-19	PH206		
35 1-1/4 1-5/16 1-3/8 1-7/16	UELPH207	72	95	166	127	60	17	21	18	140	51.1	18.8	M14	UEL207	PH207	2.4	
	UELPH207-20													UEL207-20	PH207		
	UELPH207-21	2.8346	3-47/64	6-17/32	5	2-3/8	21/32	13/16	23/32	5-1/2	2.012	0.740	1/2	UEL207-21	PH207	5.3	
	UELPH207-22													UEL207-22	PH207		
40 1-1/2 1-9/16	UELPH208	80	100	184	136	70	17	21	20	150	56.3	21.4	M14	UEL208	PH208	3.3	
	UELPH208-24	3.1496	3-15/16	7-1/4	5-11/32	2-3/4	21/32	13/16	25/32	5-29/32	2.217	0.843	1/2	UEL208-24	PH208	7.3	
	UELPH208-25													UEL208-25	PH208		
45 1-5/8 1-11/16 1-3/4	UELPH209	85	105	190	146	70	17	22	20	158	56.3	21.4	M14	UEL209	PH209	3.7	
	UELPH209-26	3.3465	4-9/64	7-15/32	5-3/4	2 3/4	21/32	7/8	25/32	6-7/32	2.217	0.843	1/2	UEL209-26	PH209	8.2	
	UELPH209-27													UEL209-27	PH209		
50 1-13/16 1-7/8 1-15/16 2	UELPH210	90	110	206	159	70	20	22	22	165	62.7	24.6	M16	UEL210	PH210	4.1	
	UELPH210-29	3.5433	4-21/64	8-1/8	6-1/4	2-3/4	25/32	7/8	7/8	6-1/2	2.469	0.969	5/8	UEL210-29	PH210	9.0	
	UELPH210-30													UEL210-30	PH210		
	UELPH210-31													UEL210-31	PH210		
	UELPH210-32													UEL210-32	PH210		