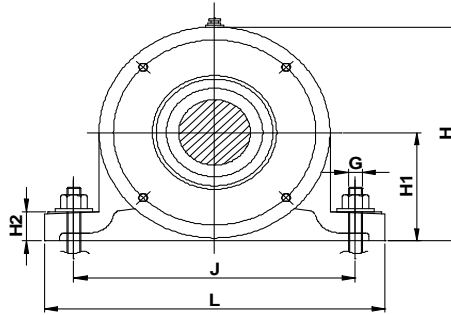
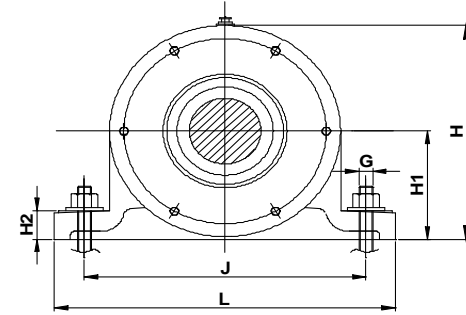


ELEVATION



SIDE VIEW



SIDE VIEW

Masta Brand PDN Series Two Bearing Housings.

Housing with 6 bolts on side covers from PDN 212 and PDN 310 and above sizes.

HOUSING DESIGNATION	Shaft dia da mm	HOUSING DIMENSIONS IN MM															Appropriate bearing	Components	
		A	A1	A2	A3	A4	Da	H	H1	H2	J	J1	L	N	G	G1		V- Ring	Fet strip
PDN 305	25	202	146.5	35	40.5	7	62	95	50	16	120	135	155	12	10	1/8	6305	V-25 A	FS 190
PDN 206	30	197	147.5	35	37.5	7	62	95	50	16	120	135	155	12	10	1/8	6206	V- 30 A	
PDN 306	30	226	171.5	40	45	7	72	100	50	18	130	150	160	15	12	1/8	6306	V- 30 A	FS 190
PDN 207	35	227	173.5	40	45	7	72	100	50	18	130	150	160	15	12	1/8	6207	V-35 A	
PDN 307	35	260	195.5	45	49.5	8	80	116	60	18	150	175	190	15	12	1/8	6307	V-35 A	FS 190
PDN 208	40	259	198.5	45	49.5	8	80	116	60	18	150	175	190	15	12	1/8	6208	V-40 A	
PDN 308	40	315	255.5	52	53	10	90	121	60	20	150	225	190	15	12	1/8	6308	V-240 A	FS 190
PDN 309	45	360	279.5	52	63	10	100	137	70	22	170	250	210	15	12	1/8	6309	V-45A	FS 190
PDN 210	50	314	258.5	52	52	10	90	121	60	20	150	225	190	15	12	1/8	6210	V-50 A	
PDN 310	50	377	311.5	60	59	10	110	142	70	25	170	275	210	15	12	1/8	6310	V-50 A	FS 260
PDN 211	55	356	283.5	52	60.5	10	100	137	70	22	170	250	210	15	12	1/8	6211	V -55 A	
PDN 311	55	422	335.5	60	69	10	120	158	80	25	210	300	260	19	16	1/8	6311	V-55A	FS 260