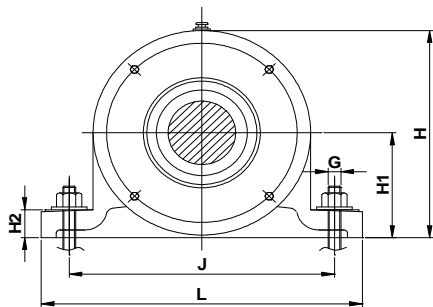
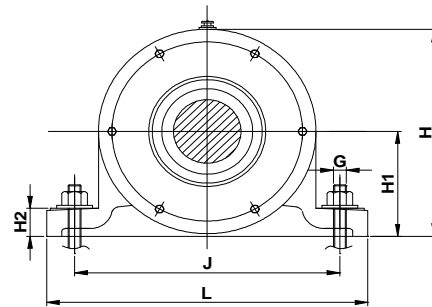


ELEVATION



SIDE VIEW



SIDE VIEW

Masta Brand PDN Series Two Bearing Housing.

Housing with 6 bolts on side covers from PDN 212 and PDN 310 and Above Sizes.

HOUSING DESIGNATION	Shaft dia da mm	HOUSING DIMENSIONS IN MM															Appropriate bearing	Components	
		A	A1	A2	A3	A4	Da	H	H1	H2	J	J1	L	N	G	G1		V- Ring	Fet strip
PDN 212	60	376	316.5	60	58	10	110	142	70	25	170	275	210	15	12	1/8	6212	V-60A	
PDN 312	60	460	383.5	70	68	10	130	165	80	25	210	340	260	19	16	1/8	6312	V- 60A	FS 260
PDN 313	65	492	402.5	70	74	11	140	185	95	25	230	360	280	19	16	1/4	6313	V- 65A	FS 260
PDN 214	70	459	390.5	70	69	10	125	165	80	25	210	340	260	19	16	1/8	6214	V- 70A	
PDN 314	70	512	420.5	70	76	11	150	190	95	25	230	380	290	19	16	1/4	6314	V- 70A	FS 330
PDN 215	75	459	389.5	70	69	10	130	165	80	25	210	340	260	19	16	1/8	6215	V- 75A	
PDN 315	75	547	448.5	80	83.5	12	160	200	100	30	260	400	320	19	16	1/4	6315	V-75A	FS 330
PDN 216	80	493	409.5	70	76	11	140	185	95	25	230	360	280	19	16	1/4	6216	V-80A	
PDN 316	80	556	466.5	80	78	12	170	220	112	30	260	420	320	19	16	1/4	6316	V-80A	FS 330