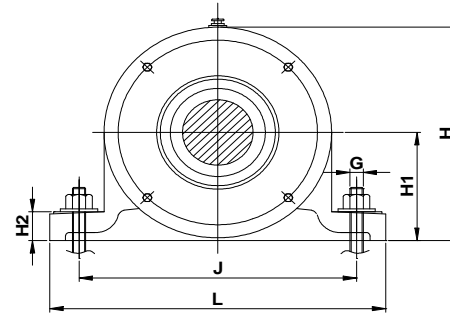
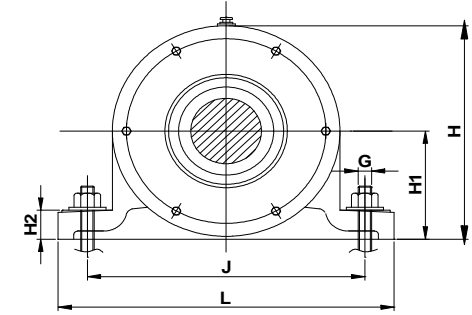


ELEVATION



SIDE VIEW



SIDE VIEW

Masta Brand PDN Series Two Bearing Housings.

Housing with 6 bolts on side covers from PDN 212 and PDN 310 and Above Sizes.

HOUSING DESIGNATION	Shaft dia da mm	HOUSING DIMENSIONS IN MM															Appropriate bearing	Components	
		A	A1	A2	A3	A4	Da	H	H1	H2	J	J1	L	N	G	G1		V- Ring	Fet strip
PDN 317	85	590	486	80	85	12	180	225	112	30	290	440	350	19	16	16	6317	V-85A	FS 330
PDN 218	90	543	455.5	80	81	12	160	200	100	30	260	400	320	19	16	16	6218	V- 90A	
PDN 318	90	605	510	85	82.5	11	190	230	112	30	290	460	350	19	16	16	6318	V- 90A	FS 370
PDN 319	95	648	540	90	94	13	200	253	125	36	320	480	400	24	20	20	6319	V- 95A	FS 370
PDN 220	100	588	493	80	83.5	12	180	225	112	30	290	440	350	19	16	16	6220	V- 100A	
PDN 320	100	673	570	95	96.5	11.5	215	264	130	40	320	500	400	24	20	20	6320	V- 100A	FS 460
PDN 222	110	634	547	90	88	13	200	253	125	36	320	480	400	24	20	20	6222	V-110A	
PDN 322	110	686	580	95	94.5	10	240	296	150	40	380	520	450	28	24	24	6322	V-110A	FS 460
PDN 224	120	672	577	95	97	11.5	215	264	130	40	320	500	400	24	20	20	6224	V-120A	
PDN 324	120	707	600	100	96	11.5	260	322	160	40	410	538	500	35	30	30	6324	V - 120 A	FS 460