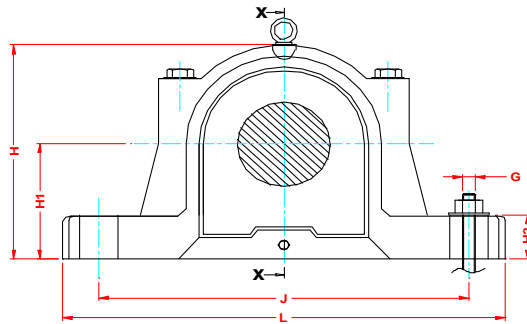
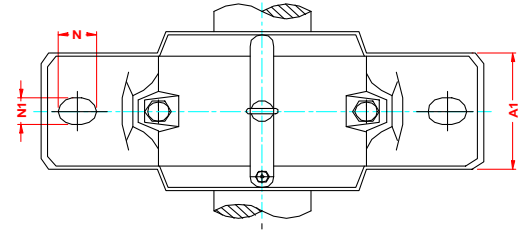


Section xx



Front View



Top view

**Plummer Blocks (Bearing housings)
Series SNH 500 for bearings with adapter sleeves.**

Plummer Blocks Designation	Shaft Dia da mm	DIMENSION IN MM											Bearing with Adapter Sleeve	Locating Rings	
		A	A1	Da	H	H1	H2	J	L	Ca	N	N1			G
SNH 519	85	145	100	131	210	112	35	290	345	68	28	22	20	1219 EK + H 219 2219 EK + H 319 22219 EK+ H 319	18/170 12.5/170 12.5/170
SNH 616	70													1316 EK + H 316 2316 EK + H 2316 21316CCK+ H 316 22316 EK+ H 2316	14.5/170 5/170 14.5/170 5/170
SNH 520	90	160	110	137.5	215	112	40	320	380	70	32	26	24	1220 EK + H 220 2220 EK + H 320 22220 EK+ H 320 23220CCK+ H 2320	18/180 12/180 12/180 4.85/180
SNH 617	75													1317 EK + H 317 2317 EK + H 2317 21317CCK+ H 317 22317 EK+ H 2317	14.5/180 5/180 14.5/180 5/180
SNH 522	100	175	120	147.5	239	125	45	350	410	80	32	26	24	1222 EK + H 222 2222 EK + H 322 22222 EK+ H 322 23222CCK+ H 2322	21/200 13.5/200 13.5/200 5.1/200
SNH 619	85													1319 EK + H 319 2319 EK + H 2319 21319CCK+ H 319 22319 EK+ H 2319	17.5/200 6.5/200 17.5/200 6.5/200
SNH 524	110	185	120	157.5	271	140	45	350	410	86	32	26	24	1224 EK + H 3124 22224 EK+ H 3124 23224CCK+ H 2324	22/215 14/215 5/215
SNH 620	90													1320 EK + H 320 2320 EK + H 2320 21320CCK+ H 320 22320 EK+ H 2320	19.5/215 6.5/215 19.5/215 6.5/215
SNH 526	115	190	130	167.5	290	150	50	380	445	90	35	28	24	22226 EK+ H 3126 23226CCK+ H 2326	13/230 5/230
SNH 528	125	205	150	177.5	302	150	50	420	500	98	42	35	30	22228CCK+ H 3128 23228CCK+ H 2328	15/250 5/250
SNH 530	135	220	160	192.5	323	160	60	450	530	106	42	35	30	22230CCK+ H 3130 23230CCK+ H 2330	16.5/270 5/270
SNH 532	140	235	160	202.5	344	170	60	470	550	114	42	35	30	22232CCK+ H 3132 23232CCK+ H 2332	17/290 5/290