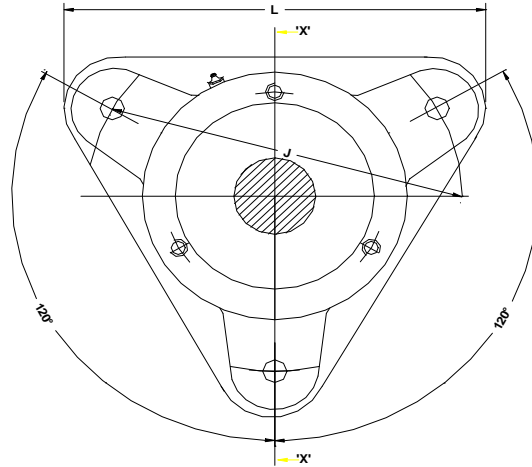
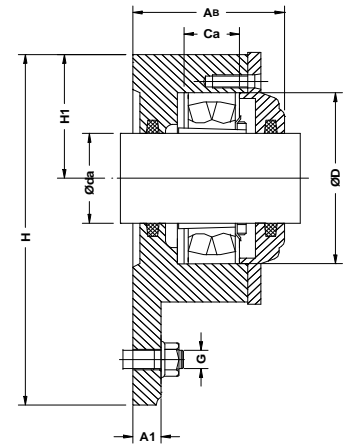


**SECTION 'XX'**  
(SHAFT END)



**ELEVATION**



**SECTION 'XX'**  
(THROUGH SHAFT)

**MASTA Brand Triangular Flanged Bearing Housing**  
for Self alining ball bearings WITH EXTENDED INNER RING.

Plummer Block Designation	Shaft dia da	DIMENSIONS IN MM										Appropriate Bearing No.	Felt strip
		A	A1	Da	D1	H	H1	J	L	G	D		
I - 120013 E	20	42	10	28.9	69	92.5	35	90	105	10	47	11204 E	FS 180
I - 120014	25	46	10	33.3	75	100	38	96	110	10	52	11205 E	FS 180
I - 120015	30	50	12	40.1	86	117	44	116	130	10	62	11206 E	FS 180
I - 120016 E	35	54	12	47	97	130	48.5	130	145	12	72	11207E	FS 180
I - 120017	40	60	12	54	108	143	54	140	160	12	80	11208 E	FS 300
I - 120018	45	62	12	57.7	113	160	60	160	180	12	85	11209 E	FS 300
I - 120019 E	50	63	15	61.7	118	160	60	160	180	12	90	11210 E	FS 300
I - 120021	60	67	15	78	142	189	72	180	210	12	110	11212 E	FS 300