

ILLUSTRATION FOR BND SERIES

BND

BND bearing housings are originally developed for belt conveyor. They are successfully used also in processing engineering applications, like hard crushers, drives of sugar cane mills as well as for the rotor shafts of wind power station. BND housings are used predominantly in drive pulleys in belt conveyors. This design offers high operational reliability with little maintenance requirements which are very essential features for conveyor applications. BND type is designed to undergo heaviest stressing in vertical as well as in other applications.

Type:-

BND bearing housings are single piece construction (non-split bearing housing) suitable for spherical roller bearings of series 222, 230, 231 and 232 series.

The BND housings are designed for grease lubrication. Suitable grease nipples are provided on housings.

Seals:-

BND housings are sealed by labyrinths. The labyrinth rings are fastened by split tapered spring ring of laminated fabric material. Upon requirement, Taconite seal also can be provided.

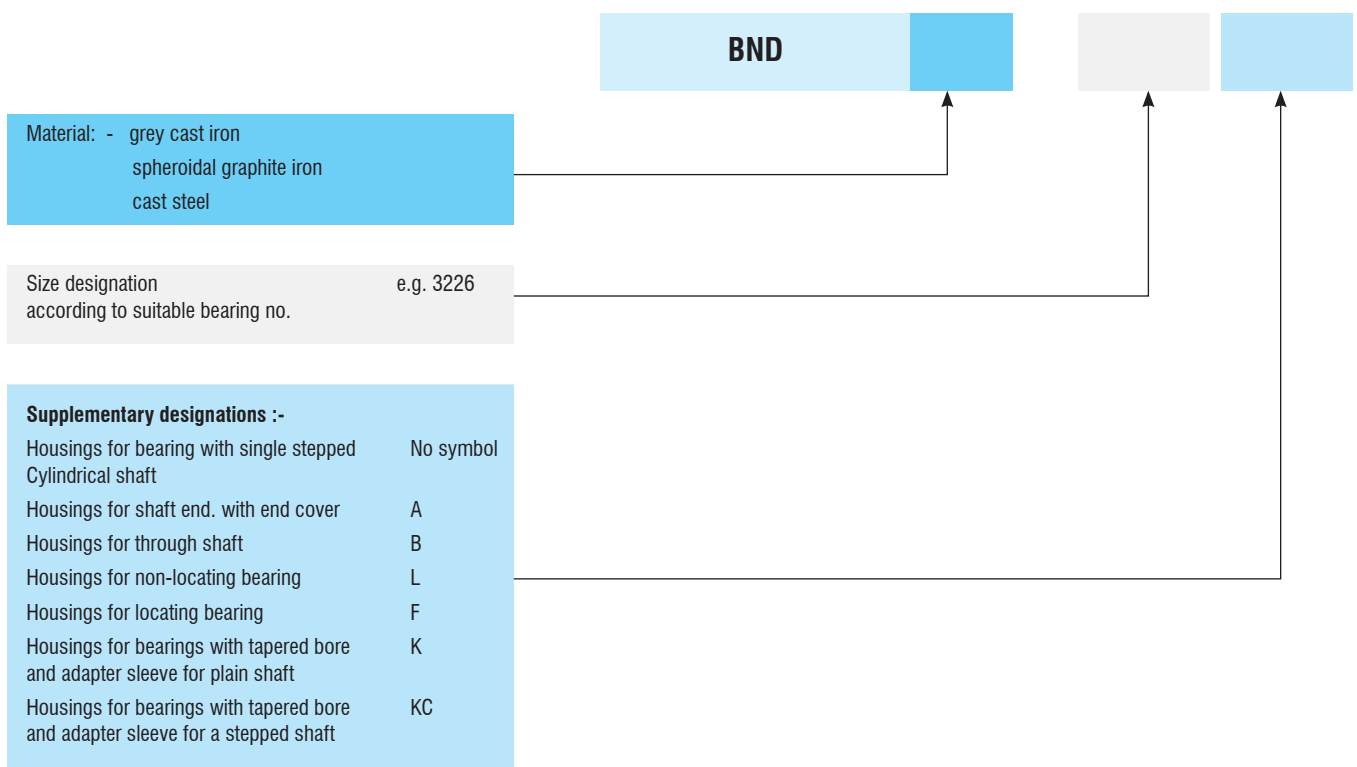
Eye bolt:-

An eye bolt is provided for easy handling of the housing.

Materials:-

BND housings can be supplied in following materials.

- (1) Cast steel
- (2) High Grade grey cast iron
- (3) Spheroidal graphite iron (Ductile Iron)



Note: it is important to specify the bearing housing requirement as-

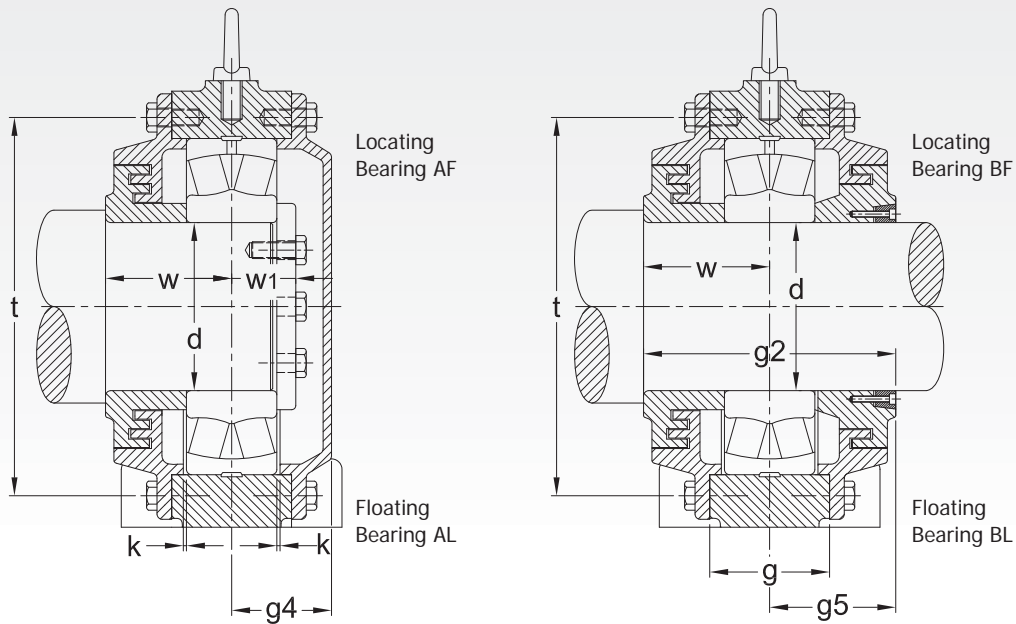
- (1) **AL** Housings for shaft end. with end cover, for non-locating bearing.
- (2) **AF** Housings for shaft end. with end cover, for locating bearing.
- (3) **BL** Housings for through shaft, for non-locating bearing.
- (4) **BF** Housings for through shaft, for locating bearing.

BND SERIES

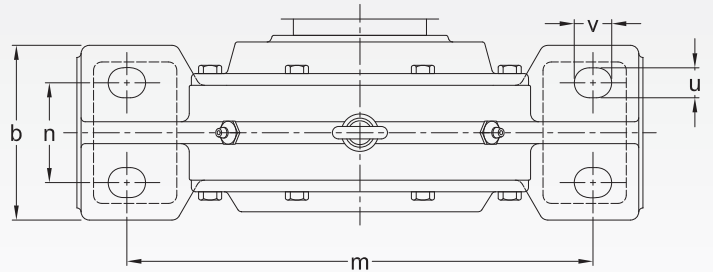
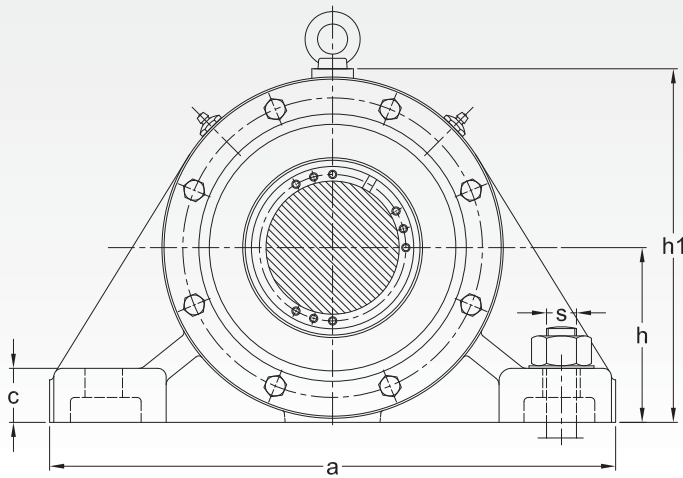
Masta[®]
PRECISION HOUSINGS



BND PLUMMER BLOCK HOUSINGS FOR BEARINGS WITH CYLINDRICAL BORE

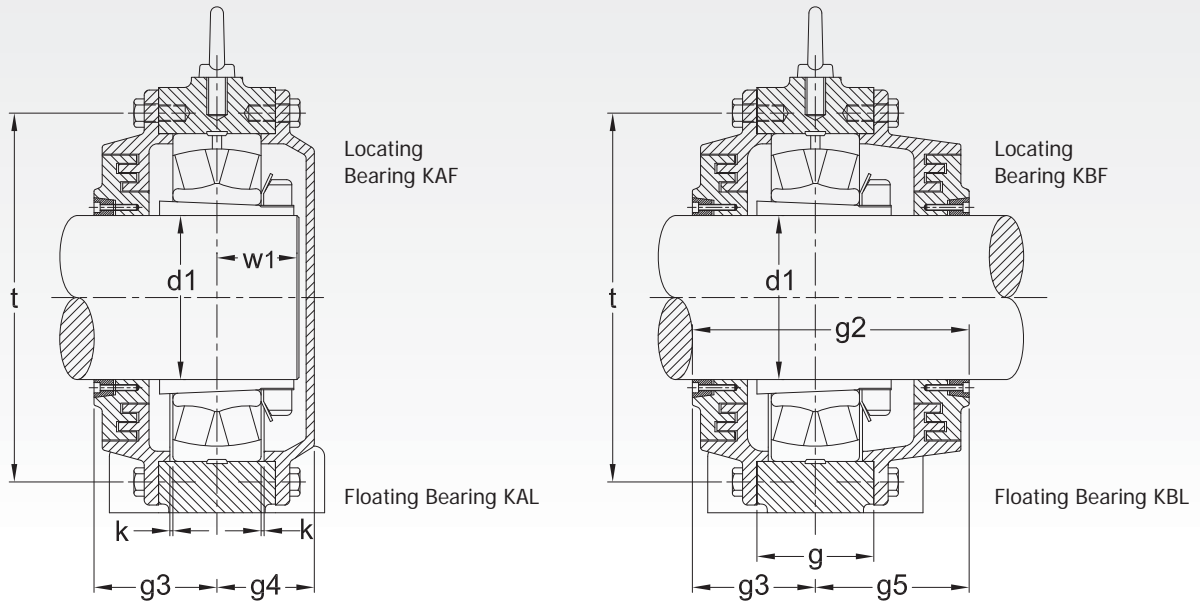


Shaft dia mm	Designation of Housing	Spherical Roller Bearing	Weight (Approx) Housing kg	Fixing Bolt		Qty	Housing Dimensions (in mm)																		
				Housing	Cover		d	w	w1	a	b	c	g	g2	g4	g5	h	h1	k	m	n	t	u	v	
				s																					
100	BND3220	23220S.MB	35	M20	M10	12	100	70	47	410	120	40	80	145	65	75	130	255	2.5	320	63	205	23	32	
110	BND3222	23222S.MB	37	M24	M12	12	110	78	57	440	130	42	90	161	68	83	140	280	2.5	350	70	230	30	35	
120	BND3024	23024S.MB	20	M20	M10	12	120	65	47	370	110	35	60	130	65	65	115	230	2.5	300	60	200	23	35	
	BND3224	23224S.MB	40	M24	M12	12	120	83	62	470	140	42	95	171	78	88	150	300	2.5	370	75	245	30	35	
130	BND3024	23026S.MB	25	M20	M10	16	130	68	50	410	120	38	70	136	65	68	130	260	2	340	60	225	23	35	
	BND3226	23226S.MB	50	M24	M12	12	130	103	64	500	150	45	100	206	78	103	160	315	3	400	85	260	30	40	
140	BND3028	23028S.MB	35	M24	M10	16	140	68	51	430	130	40	70	136	68	68	140	275	3	360	70	235	30	35	
	BND3228	23228BS.MB	65	M24	M16	12	140	98	68	530	160	50	110	196	88	98	170	345	3	430	85	285	30	42	
150	BND3030	23030S.MB	40	M24	M12	16	150	78	57	455	140	42	80	156	71	78	145	290	2	370	80	250	30	35	
	BND3230	23230S.MB	80	M20	M16	12	150	105	76	550	170	54	120	210	95	105	180	365	3	450	90	305	36	45	
160	BND3032	23032S.MB	50	M24	M12	16	160	78	59	480	150	45	85	156	78	78	155	310	4	390	90	265	30	35	
	BND3232	23232S.MB	94	M30	M16	12	160	115	80	600	180	58	130	230	98	115	190	385	3	490	105	330	36	45	
170	BND3034	23034S.MB	55	M30	M12	16	170	83	63	510	160	50	90	166	83	83	165	330	2	420	95	285	36	45	
	BND3234	23234S.MB	122	M30	M16	16	170	128	82	640	200	62	135	256	103	128	200	405	3	525	110	345	36	45	
180	BND3036	23036S.MB	72	M30	M12	16	180	88	66	540	170	52	100	176	88	88	180	360	3	450	100	310	36	45	
	BND3236	23236MB	120	M30	M16	16	180	135	84	680	210	65	140	270	110	135	210	425	3	550	120	360	36	45	
190	BND3038	23038S.MB	81	M30	M16	16	190	93	67	570	180	55	105	186	88	93	185	370	3	480	105	325	36	45	
	BND3238	23238MB	170	M30	M16	16	190	128	88	710	220	85	150	256	113	128	220	455	4	560	120	385	36	45	
200	BND3040	23040S.MB	100	M30	M16	16	200	98	70	600	190	60	110	196	98	98	200	400	3	510	110	340	36	45	
	BND3240	23240MB	200	M36	M16	16	200	138	101	780	240	75	165	276	118	138	235	475	4	640	140	405	42	52	

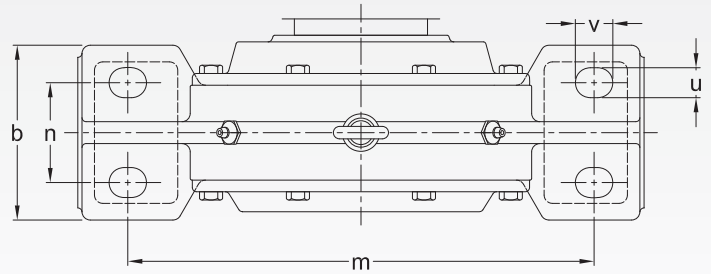
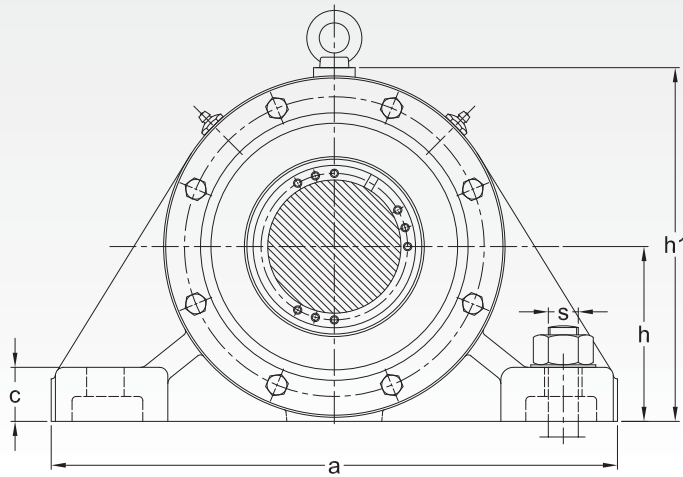


Shaft dia mm	Designation of Housing	Spherical Roller Bearing	Weight (Approx) Housing kg	Fixing Bolt		Qty	Housing Dimensions (in mm)																			
				Housing	Cover		d	w	w1	a	b	c	g	g2	g4	g5	h	h1	k	m	n	t	u	v		
				s																						
220	BND 3044	23044 MB	100	M36	M16	16	220	103	78	640	200	65	115	206	103	103	215	430	3	540	115	375	42	52		
	BND 3244	23244 MB	242	M36	M20	16	220	147	106	850	250	80	175	294	132	47	260	525	4	700	140	445	42	52		
240	BND 3048	23048 MB	130	M36	M16	16	240	108	79	680	210	70	120	216	108	108	225	455	4	560	120	400	42	52		
	BND 3248	23248 B.MB	320	M36	M20	16	240	150	114	900	250	90	190	313	138	163	290	585	3	750	140	490	42	52		
260	BND 3052	23052 MB	160	M36	M16	16	260	113	85	720	220	75	130	226	113	113	250	500	4	600	130	440	42	52		
	BND 3252	23252 B.MB	380	M36	M20	16	260	167.5	121	960	290	95	205	335	157.5	167.5	310	625	3	800	160	535	42	65		
280	BND 3056	23056 B.MB	180	M36	M16	16	280	118	91	760	240	80	135	236	118	118	260	520	4	630	140	460	42	65		
	BND 3256	23256 MB	490	M36	M24	16	280	180	127	1000	300	100	210	360	165	180	320	645	4	840	170	555	42	65		
300	BND 3060	23060 MB	220	M36	M16	16	300	133	97	820	250	85	140	266	133	133	285	570	4	690	150	510	42	65		
	BND 3260	23260 MB	570	M48	M24	16	300	187	133	1100	330	105	230	377	162	190	350	705	4	920	180	600	56	75		
320	BND 3064	23064 MB	287	M36	M16	16	320	133	100	860	260	90	150	266	133	133	295	590	4	730	160	530	42	65		
	BND 3264	23264 MB	660	M48	M24	16	320	192	146	1150	360	115	250	384	187	192	370	745	5	960	200	640	60	75		
340	BND 3068	23068 MB	300	M36	M20	16	340	133	110	900	270	95	160	268	143	135	315	630	5	770	170	565	42	65		
	BND 3268	23268 B.MB	750	M48	M24	16	340	212	154	1200	380	125	265	424	217	212	390	785	5	980	200	680	60	75		
360	BND 3072	23072 MB	335	M36	M20	16	360	138	110	960	280	100	170	276	148	138	330	660	5	820	180	590	42	65		
	BND 3272	23272 B.MB	950	M64	M24	16	360	227	170	1280	400	130	275	454	222	227	410	820	5	1040	210	710	72	80		
380	BND 3076	23076 B.MB	360	M48	M20	16	380	142	110	1000	300	105	160	284	152	142	340	680	7	680	190	610	56	75		
	BND 3276	23276 B.MB	1100	M64	M30	16	380	232	180	1350	405	135	295	464	257	232	425	860	5	860	225	745	68	85		
400	BND 3080	23080 MB	400	M48	M20	16	400	148	116	1060	320	110	175	296	158	148	360	720	7	720	200	650	56	75		
	BND 3280	23280 B.MB	1200	M64	M30	16	400	252	200	1430	450	145	300	504	252	252	450	900	5	900	240	790	72	85		
420	BND 3084	23084 B.MB	430	M48	M20	16	420	148	117	1100	340	115	180	296	158	148	375	755	7	940	210	670	56	75		
	BND 3284	23284 B.MB	1300	M64	M30	16	420	255	210	1500	470	150	315	510	255	255	470	950	5	1220	255	835	72	90		

BND PLUMMER BLOCK HOUSINGS FOR BEARINGS WITH TAPERED BORE AND ADAPTER SLEEVE

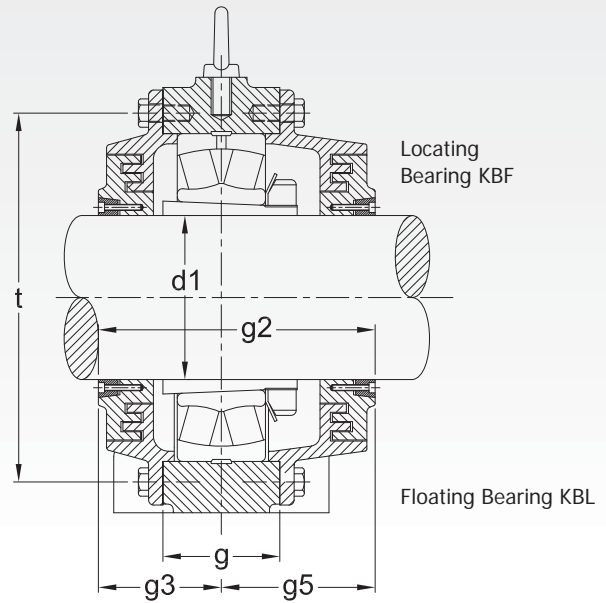
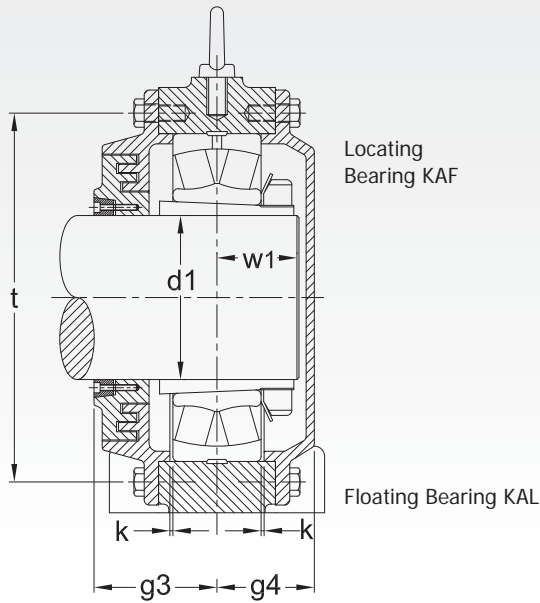


Shaft dia mm	Designation of Housing	Spherical Roller Bearing	Adapter sleeve	Weight (Approx) Housing kg	Fixing Bolt			Housing Dimension (in mm)																		
					Housing s	Cover	Qty	Bore mm	d1	w1	a	b	c	g	g2	g3	g4	g5	h	h1	k	m	n	t	u	v
80	BND 2218 K	22218SK	H 318	25	M20	M8	12	90	80	42	370	110	38	55	123	53	51	70	110	220	2	290	60	185	32	42
90	BND 2220 K	22220SK	H320	30	M24	M12	12	100	90	50	400	120	40	65	168	78	63	90	130	255	2.5	320	65	205	30	35
100	BND 3122 K	23122SK.MB	H3122	40	M20	M12	16	110	100	63	400	150	40	80	171	78	836	93	130	263	2.5	300	80	215	25	35
	BND 2222 K	22222SK.MB	H322	50	M24	M12	12	110	100	54	440	130	42	73	177	82.5	66.5	94.5	140	280	2.5	350	70	230	30	35
	BND 3222 K	23222SK.MB	H 2322	35	M24	M12	12	110	100	60	440	130	42	90	194	91	75	103	140	280	2.5	350	70	230	30	35
110	BND 3024 K	23024SK.MB	H3024	20	M20	M10	12	120	110	48	370	110	35	60	146	63	63	83	115	230	2.5	300	60	200	23	35
	BND 3124 K	23124SK.MB	H3124	50	M20	M12	16	120	110	55	410	150	40	85	175	75	75	100	140	280	2.5	330	80	230	25	35
	BND 2224 K	22224SK.MB	H3124	58	M24	M12	12	120	110	56	470	140	42	77	183	84	69	99	150	300	2.5	370	75	245	30	35
	BND 3224 K	23224SK.MB	H2324	65	M24	M12	12	120	110	63	470	140	42	95	201	93	78	108	150	300	2.5	370	75	245	30	35
115	BND 3026 K	23026SK.MB	H 3026	45	M20	M10	16	130	115	50	410	120	38	70	156	68	65	88	130	260	2	340	60	225	23	35
	BND 3126 K	23126SK.MB	H3126	55	M20	M12	16	130	115	65	430	150	40	90	190	85	85	105	145	295	3	350	80	240	25	35
	BND 2226 K	22226SK	H3126	65	M24	M12	12	130	115	57	500	150	45	84	195	95	70	100	160	315	3	400	85	260	30	40
	BND 3226 K	23226SK.MB	H2326	75	M24	M12	12	130	115	65	500	150	45	100	211	103	78	108	160	315	3	400	85	260	30	40
125	BND 3028 K	23028SK.MB	H3028	48	M24	M10	16	140	125	53	430	130	40	70	156	68	68	88	140	275	3	360	70	235	30	35
	BND 3128 K	23128SK.MB	H3128	60	M20	M12	16	140	125	74	470	160	45	95	198	87	95	111	155	315	3	380	85	260	23	33
	BND 2228 K	22228SK.MB	H3128	70	M24	M16	12	140	125	64	530	160	50	88	206	98	78	108	170	345	3	430	85	285	30	42
	BND 3228 K	23228SK.MB	H2328	78	M24	M16	12	140	125	72	530	160	50	110	226	108	88	118	170	345	3	430	85	285	30	42
135	BND 3030 K	23030SK.MB	H3030	50	M24	M12	16	150	135	55	455	140	42	80	176	78	71	98	145	290	2	370	80	250	30	35
	BND 3130 K	23130SK.MB	H3130	80	M24	M12	16	150	135	90	580	200	60	102	207	93.5	93.5	113.5	170	345	2	450	110	285	30	54
	BND 2230 K	22230SK.MB	H3130	85	M30	M16	12	150	135	68	550	170	54	97	213	101.5	81.5	111.5	180	365	3	450	90	305	36	45
	BND 3230 K	23230SK.MB	H2330	85	M30	M16	12	150	135	80	550	170	54	120	236	113	90	123	180	365	3	450	90	305	36	45

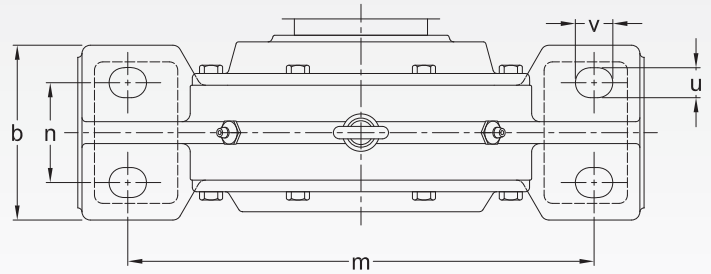
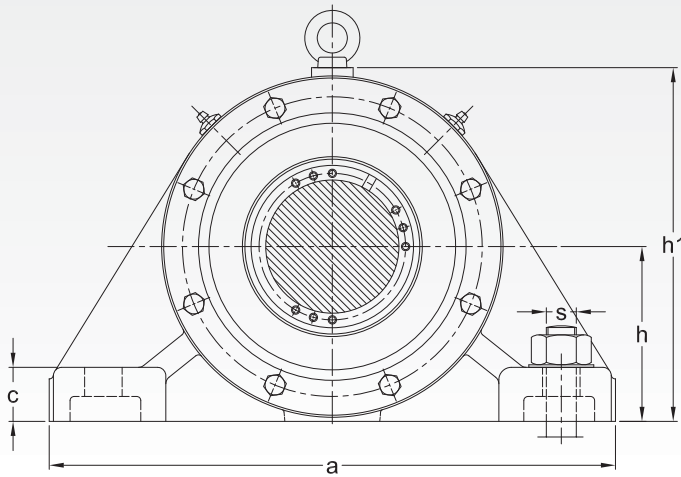


Shaft dia- mm	Designation of Housing	Spherical Roller Bearing	Adapter sleeve	Weight (Approx) Housing kg	Fixing Bolt			Housing Dimensions (in mm)																		
					Housing	Cover	Qty	Bore mm	d1	w1	a	b	c	g	g2	g3	g4	g5	h	h1	k	m	n	t	u	v
140	BND 3032 K	23032SK.MB	H3032HG	65	M24	M12	16	160	140	60	480	150	45	85	181	78	78	103	155	310	2	390	90	265	30	35
	BND 3132 K	23132SK.MB	H3132HG	90	M24	M12	16	160	140	86	540	200	55	110	232	103	107	129	180	360	3	430	110	310	30	40
	BND 2232 K	22232SK.MB	H3132HG	100	M30	M16	12	160	140	72	600	180	58	106	227	106	86	121	190	385	3	490	105	330	36	45
	BND 3232 K	23232SK.MB	H2332HG	110	M30	M16	12	160	140	85	600	180	58	130	251	118	98	133	190	385	3	490	105	330	36	45
150	BND 3034 K	23034SK.MB	H3034HG	75	M30	M12	16	170	150	65	510	160	50	90	191	83	83	108	165	330	2	420	95	285	36	45
	BND 3134 K	23134SK.MB	H3134HG	100	M30	M12	16	170	150	90	570	200	55	120	249	113	113	136	190	380	3	470	110	330	36	45
160	BND 2234 K	22234BSK.MB	H3134HG	105	M30	M16	16	170	150	77	640	200	62	111	247	116	91	131	200	405	3	525	110	345	36	45
	BND 3234 K	23234SK.MB	H 2334HG	120	M30	M16	16	170	150	88	640	200	62	135	271	128	103	143	200	405	3	525	110	345	36	45
	BND 3036 K	23036SK.MB	H3036HG	80	M30	M12	16	180	160	72	540	170	52	100	201	88	88	113	180	360	3	450	100	310	36	45
	BND 3136 K	23136SK.MB	H3136HG	110	M30	M16	16	180	160	80	600	200	58	125	250	115	105	135	200	395	3	490	105	350	36	45
170	BND 2236 K	22236K.MB	H3136HG	130	M30	M16	16	180	160	80	680	210	65	114	255	120	95	135	210	425	3	550	120	360	36	45
	BND 3236 K	23236K.MB	H2336HG	140	M30	M16	16	180	160	90	680	210	65	140	285	135	110	150	210	425	3	550	120	360	36	45
	BND 3038 K	23038SK.MB	H3038HG	80	M30	M16	16	190	170	80	570	180	55	105	211	93	88	118	185	370	3	480	105	325	36	45
	BND 3138 K	23138K.MB	H3138HG	135	M30	M16	16	190	170	95	680	210	65	130	266	123	113	143	210	425	3	550	120	370	36	45
180	BND 2238 K	22238K.MB	H3138HG	170	M30	M16	16	190	170	85	710	220	85	135	275	130	105	145	220	455	3	560	120	385	36	45
	BND 3238 K	23238K.MB	H2338HG	170	M30	M16	16	190	170	96	710	220	85	150	291	138	113	153	220	455	3	560	120	385	36	45
	BND 3040 K	23040BSK.MB	H3040HG	100	M30	M16	16	200	180	74	600	190	60	110	226	98	98	128	200	400	3	510	110	340	36	45
	BND 3140 K	23140BK.MB	H3140HG	170	M36	M16	16	200	180	100	710	220	85	135	276	128	118	148	220	455	2	560	120	380	42	52
	BND 2240 K	22240BK.MB	H3140HG	185	M30	M16	16	200	180	88	780	240	75	135	270	125	105	145	235	475	4	640	140	405	36	50
	BND 3240 K	23240BK.MB	H 2340HG	205	M36	M16	16	200	180	100	780	240	75	165	296	138	118	158	235	475	4	640	140	405	42	52

BND PLUMMER BLOCK HOUSINGS FOR BEARINGS WITH TAPERED BORE AND ADAPTER SLEEVE



Shaft dia mm	Designation of Housing	Spherical Roller Bearing	Adaptor sleeve	Weight (Approx) Housing kg	Fixing Bolt			Housing Dimensions (in mm)																		
					Housing	Cover	Qty	Bore mm	d1	w1	a	b	c	g	g2	g3	g4	g5	h	h1	k	m	n	t	u	v
200	BND 3044 K	23044K.MB	H3044XHG	115	M36	M16	16	220	200	78	640	200	65	115	241	103	118	138	215	430	3	540	115	375	42	52
	BND 3144 K	23144BK.MB	H3144XHG	190	M36	M16	16	220	200	100	780	240	75	150	295	135	125	160	235	475	4	640	140	420	42	52
	BND 2244 K	22244BK.MB	H3144XHG	290	M30	M20	16	220	200	95	890	270	80	160	309	142	152	167	270	550	3	720	140	455	36	52
	BND 3244 K	23244K.MB	H2344XHG	240	M36	M20	16	220	200	110	850	250	80	175	329	147	132	182	260	525	4	700	140	445	42	52
220	BND 3048 K	23048K.MB	H3048HG	135	M36	M16	16	240	220	85	680	210	70	120	251	108	108	143	225	455	4	560	120	400	42	52
	BND 3148 K	23148BK.MB	H3148XHG	280	M36	M20	16	240	220	100	890	250	80	160	334	152	132	182	270	550	4	720	140	455	42	52
	BND 2248 K	22248BK.MB	H3148XHG	315	M36	M20	16	240	220	105	900	250	90	150	320	140	130	180	290	585	4	750	140	490	42	52
	BND 3248 K	23248BK.MB	H2348XHG	330	M36	M20	16	240	220	120	900	250	90	190	356	158	148	198	290	585	5	750	140	490	42	52
240	BND 3052 K	23052K.MB	H3052XHG	160	M36	M16	16	260	240	87	720	220	75	130	261	113	113	148	250	500	4	600	130	440	42	52
	BND 3152 K	23152K.MB	H3152XHG	315	M36	M20	16	260	240	110	900	250	90	175	336	150.5	140.5	185.5	290	585	4	750	140	490	42	52
	BND 2252 K	22252BK.MB	H3152XHG	370	M36	M20	16	260	240	110	960	290	95	161	330	145	135	185	310	625	3	800	160	535	42	65
	BND 3252 K	23252BK.MB	H2352XHG	380	M36	M20	16	260	240	125	960	290	95	205	375	167.5	157.5	207.5	310	625	3	800	160	535	42	65
260	BND 3056 K	23056BK.MB	H3056HG	245	M36	M16	16	280	260	92	760	240	80	135	281	118	118	163	260	520	4	630	140	460	42	65
	BND 3156 K	23156BK.MB	H3156XHG	335	M36	M24	16	280	260	120	900	250	90	175	351	158	148	193	290	585	4	750	140	510	42	65
	BND 2256 K	22256BK.MB	H3156XHG	420	M36	M24	16	280	260	115	1000	300	100	175	360	160	145	200	320	645	4	840	170	555	42	65
	BND 3256 K	23256K.MB	H2356XHG	490	M36	M24	16	280	260	135	1000	300	100	210	400	180	165	220	320	645	4	840	170	555	42	65
280	BND 3060 K	23060K.MB	H3060HG	220	M36	M16	16	300	280	110	820	250	85	140	301	128	133	173	285	570	4	690	150	510	42	65
	BND 3160 K	23160BK.MB	H3160HG	400	M36	M16	16	300	280	130	1000	300	100	190	385	170	155	215	320	645	4	840	170	550	42	65
	BND 2260 K	22260K.MB	H3160HG	485	M48	M24	16	300	280	120	1100	330	105	177	370	174.5	160.5	195.5	350	705	4	920	180	600	56	75
	BND 3260 K	23260K.MB	H3260HG	570	M48	M24	16	300	280	145	1100	330	105	230	404	182	187	222	350	705	4	920	180	600	56	75
300	BND 3064 K	23064K.MB	H3064HG	250	M36	M16	16	320	300	110	860	260	90	150	301	128	133	173	295	590	4	730	160	530	42	65
	BND 3164 K	23164K.MB	H3164HG	500	M36	M24	16	320	300	135	1150	350	100	210	395	180	192	215	350	700	4	940	160	590	42	65
	BND 2264 K	22264K.MB	H3164HG	600	M48	M24	16	320	300	130	1150	360	115	220	405	180	175	225	370	745	5	960	200	640	56	75
	BND 3264 K	23264K.MB	H3264HG	665	M48	M24	16	320	300	145	1150	360	115	250	429	192	187	237	370	745	5	960	200	640	56	75



Shaft dia- mm	Designation of Housing	Spherical Roller Bearing	Adapter sleeve	Weight (Approx) Housing kg	Fixing Bolt			Housing Dimensions (in mm)																		
					Housing s	Cover	Qty	Bore mm	d1	w1	a	b	c	g	g2	g3	g4	g5	h	h1	k	m	n	t	u	v
320	BND 3068 K	23068K.MB	H3068HG	300	M36	M20	16	340	320	112	900	270	95	160	311	133	143	178	315	630	5	770	170	565	42	65
	BND 3168 K	23168BK.MB	H3168HG	520	M48	M24	16	340	320	140	1150	360	115	220	445	200	200	245	370	735	4	960	200	630	56	75
	BND 2268 K	22268BK.MB	H3168HG	635	M56	M24	16	340	320	150	1200	380	125	205	437	194	207	243	390	790	5	980	200	680	64	75
	BND 3268 K	23268BK.MB	H3268HG	755	M48	M24	16	340	320	175	1200	380	125	265	484	212	217	272	390	785	5	980	200	680	60	75
340	BND 3072 K	23072K.MB	H3072HG	330	M36	M20	16	360	340	120	960	280	100	170	325	140	150	185	330	660	5	820	180	680	42	65
	BND 3172 K	23172K.MB	H3172HG	600	M48	M24	16	360	340	155	1200	370	115	225	450	200	200	250	380	760	4	1000	200	650	56	75
	BND 2272 K	22272K.MB	H3172HG	690	M56	M24	16	360	340	155	1280	400	130	213	450	200	195	250	410	820	5	1040	210	710	64	80
	BND 3272 K	23272BK.MB	H3272HG	950	M64	M24	16	360	340	185	1280	400	130	275	509	227	222	282	410	820	5	1040	210	710	72	80
360	BND 3076 K	23076BK.MB	H3076HG	360	M48	M20	16	380	360	123	1000	300	105	160	329	142	152	187	340	680	7	840	190	610	56	75
	BND 3176 K	23176K.MB	H3176HG	720	M56	M30	16	380	360	170	1200	380	125	230	459	202	202	257	390	790	5	1000	200	680	60	75
	BND 2276 K	22276K.MB	H3176HG	900	M56	M30	16	380	360	160	1350	405	135	230	465	200	230	265	425	865	5	1100	225	745	64	85
	BND 3276 K	23276BK.MB	H3276HG	1100	M64	M30	16	380	360	190	1350	405	135	295	529	232	257	297	425	860	5	1100	225	745	68	85
380	BND 3080 K	23080K.MB	H3080HG	400	M48	M20	16	400	380	135	1060	320	110	175	351	148	158	203	360	720	7	900	200	650	56	75
	BND 3180 K	23180BK.MB	H3180HG	750	M56	M30	16	400	380	170	1280	400	130	235	460	200	205	260	410	820	5	1040	210	710	68	80
	BND 2280 K	22280K.MB	H3180HG	940	M56	M30	16	400	380	165	1430	450	145	229	485	210	210	275	450	900	5	1160	240	790	64	85
	BND 3280 K	23280BK.MB	H3280HG	1205	M 64	M 30	16	400	380	200	1430	450	145	229	569	252	252	317	450	900	5	1160	240	790	72	85
400	BND 3084 K	23084BK.MB	H3084XHG	435	M 48	M20	16	420	400	137	1100	340	115	180	351	148	163	203	375	755	7	940	210	670	56	75
	BND 3184 K	23184K.MB	H3184HG	950	M 56	M30	16	420	400	190	1350	420	135	260	510	210	230	300	450	900	7	1100	210	760	68	85
	BND 2284 K	22284K.MB	H3184HG	1055	M64	M30	16	420	400	180	1500	470	150	238	495	215	280	280	470	950	5	1220	255	835	72	90
	BND 3284 K	23284BK.MB	H3284HG	1310	M64	M 30	16	420	400	215	1500	470	150	315	575	255	255	320	470	950	5	1220	255	835	72	90