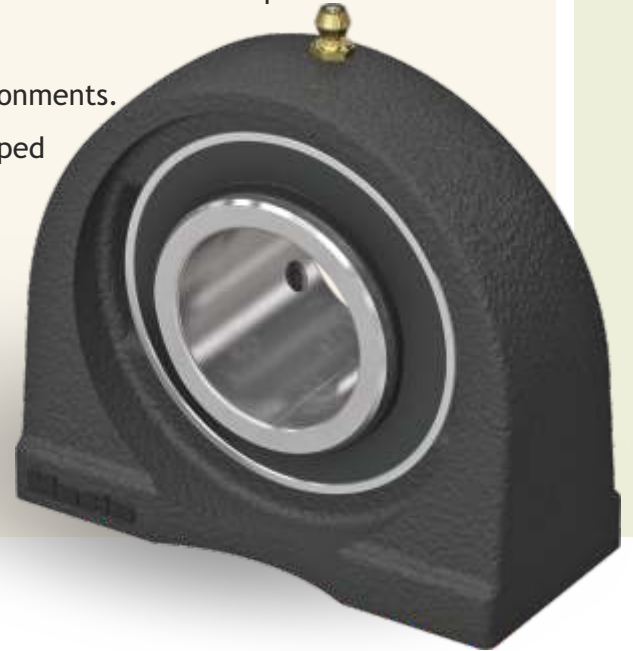


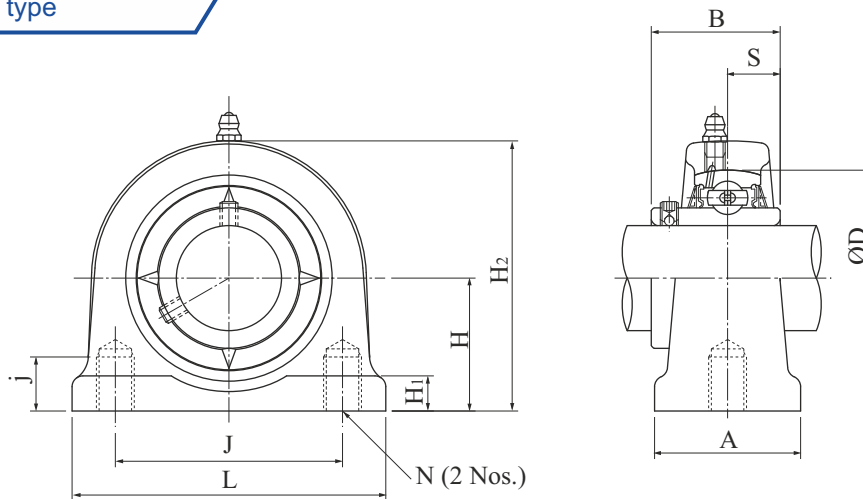
DESIGN FEATURES AND ADVANTAGES OF PA-SERIES

- Suitable for limited space applications and mounting bolts are accessed from the bottom of the unit.
- The insert ball bearing unit combined the spherical outer surface of the bearing match the concave shaped in inside diameter of the housing which gives the unit unique self-aligning ability.
- This one-piece housing with two tapped holes from bottom can be installed in any position and makes bearing replacement easily.
- These pillow blocks are pre lubricated, which can be easy to install on immediate requirement.
- Designed with grease nipple provision for re-lubrication
- Its special bonded seal design is appropriate for wet or dull environments.
- Dimensions of base to bearing diameter center and mounting tapped holes are interchangeable with competitive units.

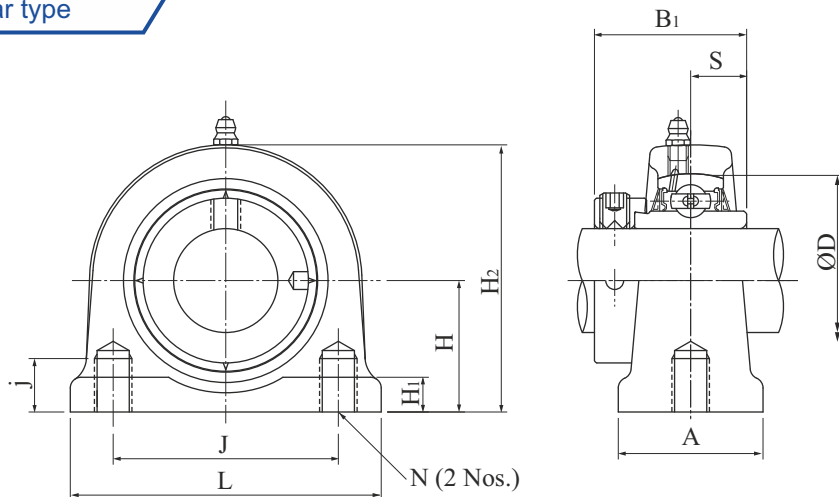
Application

- Roller conveyor
- Purpose with small mounting space
- General industrial equipment





Shaft dia. mm inch	Unit number	Nominal dimensions											Bearing number	Housing number	Mass (approx.)	
		ØD	H	L	J	A	j	H1	H2	B	S	N			kg	lb
12 1/2	UCPA201 UCPA201-08	47 1.8504	30.2 1-3/16	76 3	52 2-1/16	38 1-1/2	12 15/32	11 7/16	62 2-7/16	31 1.2205	12.7 0.500	M10x1.5 -	UC201 UC201-08	PA204 PA204	0.6 1.3	
15 9/16 5/8	UCPA202 UCPA202-09 UCPA202-10	47 1.8504	30.2 1-3/16	76 3	52 2-1/16	38 1-1/2	12 15/32	11 7/16	62 2-7/16	31 1.2205	12.7 0.500	M10x1.5 -	UC202 UC202-09 UC202-10	PA204 PA204 PA204	0.6 1.3	
17 11/16	UCPA203 UCPA203-11	47 1.8504	30.2 1-3/16	76 3	52 2-1/16	38 1-1/2	12 15/32	11 7/16	62 2-7/16	31 1.2205	12.7 0.500	M10x1.5 -	UC203 UC203-11	PA204 PA204	0.6 1.3	
20 3/4	UCPA204 UCPA204-12	47 1.8504	30.2 1-3/16	76 3	52 2-1/16	38 1-1/2	12 15/32	11 7/16	62 2-7/16	31 1.2205	12.7 0.500	M10x1.5 -	UC204 UC204-12	PA204 PA204	0.6 1.3	
25 13/16 7/8 15/16 1	UCPA205 UCPA205-13 UCPA205-14 UCPA205-15 UCPA205-16	52 2.0472	36.5 1-7/16	84 3-5/16	56 2-7/32	38 1-1/2	15 19/32	12 15/32	72 2-27/32	34.1 1.3425	14.3 0.563	M10x1.5 -	UC205 UC205-13 UC205-14 UC205-15 UC205-16	PA205 PA205 PA205 PA205	0.7 1.5	
30 1-1/16 1-1/8 1-3/16 1-1/4	UCPA206 UCPA206-17 UCPA206-18 UCPA206-19 UCPA206-20	62 2.4409	42.9 1-11/16	94 3-11/16	66 2-19/32	48 1-7/8	18 23/32	12 15/32	84 3-5/16	38.1 1.5000	15.9 0.629	M14x2 -	UC206 UC206-17 UC206-18 UC206-19 UC206-20	PA206 PA206 PA206 PA206	1.1 2.4	
35 1-1/4 1-5/16 1-3/8 1-7/16	UCPA207 UCPA207-20 UCPA207-21 UCPA207-22 UCPA207-23	72 2.8346	47.6 1 7/8	110 4-11/32	80 3-5/32	48 1-7/8	20 25/32	13 1/2	95 3-3/4	42.9 1.6890	17.5 0.689	M14x2 -	UC207 UC207-20 UC207-21 UC207-22 UC207-23	PA207 PA207 PA207 PA207	1.6 3.5	
40 1-1/2 1-9/16	UCPA208 UCPA208-24 UCPA208-25	80 3.1496	49.2 1-15/16	116 4-9/16	84 3-5/16	54 2-1/8	20 25/32	13 1/2	100 3-15/16	49.2 1.9370	19 0.748	M14x2 -	UC208 UC208-24 UC208-25	PA208 PA208 PA208	1.8 4.0	
45 1-5/8 1-11/16 1-3/4	UCPA209 UCPA209-26 UCPA209-27 UCPA209-28	85 3.3465	54.2 2-9/64	120 4-23/32	90 3-17/32	54 2-1/8	25 31/32	13 1/2	108 4-1/4	49.2 1.9370	19 0.748	M14x2 -	UC209 UC209-26 UC209-27 UC209-28	PA209 PA209 PA209 PA209	2.1 4.6	
50 1-13/16 1-7/8 1-15/16 2	UCPA210 UCPA210-29 UCPA210-30 UCPA210-31 UCPA210-32	90 3.5433	57.2 2-1/4	130 5-1/8	94 3-11/16	60 2-3/8	25 31/32	14 9/16	116 4-9/16	51.6 2.0315	19 0.748	M16x2 -	UC210 UC210-29 UC210-30 UC210-31 UC210-32	PA210 PA210 PA210 PA210	2.6 5.7	



Shaft dia. mm inch	Unit number	Nominal dimensions											Bearing number	Housing number	Mass (approx.)	
		ØD	H	L	J	A	j	H1	H2	B1	S	N			kg	lb
20 3/4	UELPA204	47	30.2	76	52	38	12	11	62	43.7	17.1	M10x1.5	UEL204	PA204	0.6	
	UELPA204-12	1.8504	1-3/16	3	2-1/16	1-1/2	15/32	7/16	2-7/16	1.720	0.673	-	UEL204-12	PA204	1.3	
25 13/16 7/8 15/16 1	UELPA205	52	36.5	84	56	38	15	12	72	44.4	17.45	M10x1.5	UEL205	PA205	0.8	
	UELPA205-13												UEL205-13	PA205		
	UELPA205-14	2.0472	1-7/16	3-5/16	2-7/32	1-1/2	19/32	15/32	2-27/32	1.748	0.687	-	UEL205-14	PA205	1.8	
	UELPA205-15 UELPA205-16												UEL205-15 UEL205-16	PA205 PA205		
30 1-1/16 1-1/8 1-3/16 1-1/4	UELPA206	62	42.9	94	66	48	18	12	84	48.4	18.25	M14x2	UEL206	PA206	1.3	
	UELPA206-17												UEL206-17	PA206		
	UELPA206-18	2.4409	1-11/16	3-11/16	2-19/32	1-7/8	23/32	15/32	3-5/16	1.906	0.719	-	UEL206-18	PA206	2.9	
	UELPA206-19												UEL206-19	PA206		
	UELPA206-20												UEL206-20	PA206		
35 1-1/4 1-5/16 1-3/8 1-7/16	UELPA207	72	47.6	110	80	48	20	13	95	51.1	18.8	M14x2	UEL207	PA207	1.7	
	UELPA207-20												UEL207-20	PA207		
	UELPA207-21	2.8346	1-7/8	4-11/32	3-5/32	1-7/8	25/32	1/2	3-3/4	2.012	0.740	-	UEL207-21	PA207	3.8	
	UELPA207-22												UEL207-22	PA207		
	UELPA207-23												UEL207-23	PA207		
40 1-1/2 1-9/16	UELPA208	80	49.2	116	84	54	20	13	100	56.3	21.4	M14x2	UEL208	PA208	2.0	
	UELPA208-24	3.1496	1-15/16	4-9/16	3-5/16	2-1/8	25/32	1/2	3-15/16	2.217	0.843	-	UEL208-24	PA208	4.4	
	UELPA208-25												UEL208-25	PA208		
45 1-5/8 1-11/16 1-3/4	UELPA209	85	54.2	120	90	54	25	13	108	56.3	21.4	M14x2	UEL209	PA209	2.3	
	UELPA209-26												UEL209-26	PA209		
	UELPA209-27 UELPA209-28	3.3465	2-1/8	4-23/32	3-17/32	2-1/8	31/32	1/2	4-1/4	2.217	0.843	-	UEL209-27 UEL209-28	PA209 PA209	5.1	
50 1-13/16 1-7/8 1-15/16 2	UELPA210	90	57.2	130	94	60	25	14	116	62.7	24.6	M16X2	UEL210	PA210	2.8	
	UELPA210-29												UEL210-29	PA210		
	UELPA210-30	3.5433	2-1/4	5-1/8	3-11/16	2-3/8	31/32	9/16	4-9/16	2.469	0.969	-	UEL210-30	PA210	6.2	
	UELPA210-31 UELPA210-32												UEL210-31 UEL210-32	PA210 PA210		