

ILLUSTRATION FOR SPA SERIES

SPA

SPA housings are used for take-up pulley bearing mountings. The yoke enables the connection with the tensioning block thru suitable pin. The whole assembly of take up is guided on rails in the conveyor frame.

Type:-

SPA housings are non-split housing with covers and labyrinth seals. They can be supplied with closed end covers for shaft end arrangements.

SPA take-up pulley bearing housings are available predominately as locating bearing, since longitudinal expansion of the shaft or width variations of the frame-work are compensated by clearance between the rail and the rail guiding slot. However, SPA housings can be supplied for non-locating bearing arrangement also when ordered.

SPA housings are manufactured also with open rail guide whenever required. SPA housings are suitable for grease lubrication and suitable grease nipple is provided.

Seals:-

SPA housings are provided labyrinth seal which are secured on the shaft by split tapered spring ring of laminated fabric material.

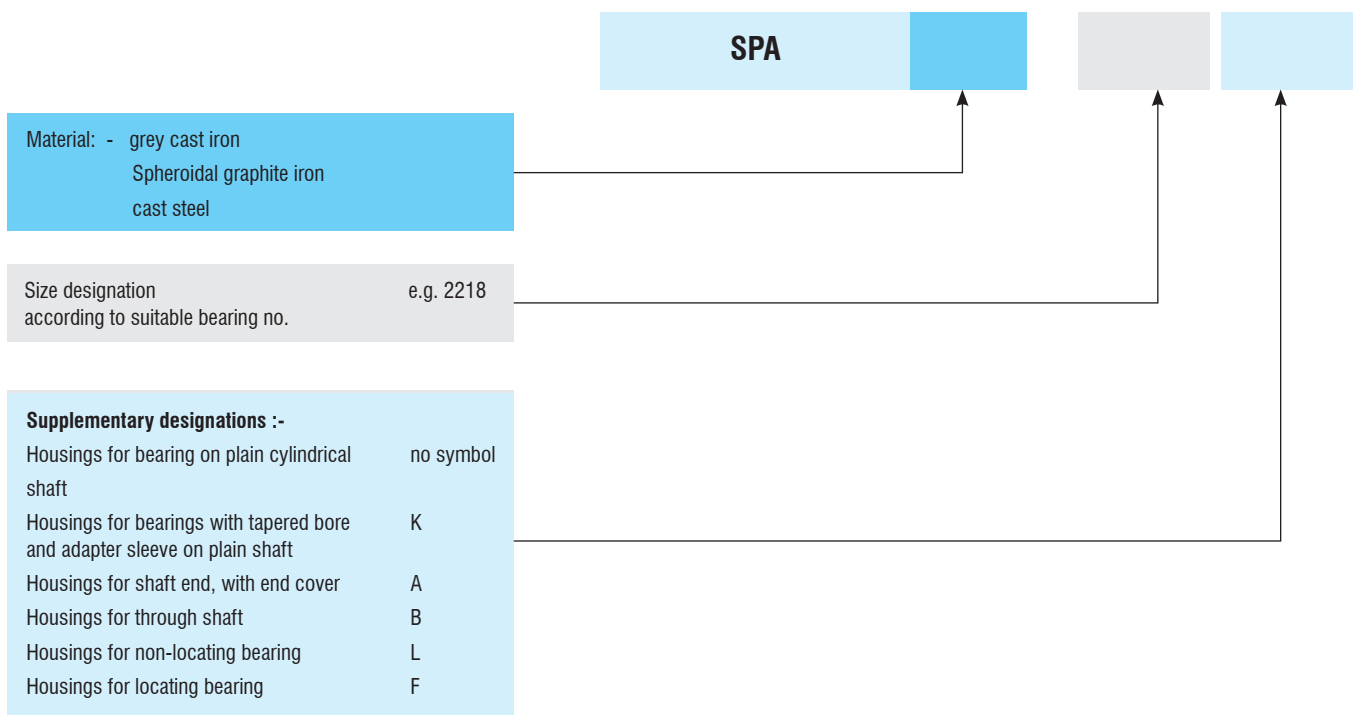
Eye bolt:-

An eye bolt is not required and not provided in SPA take-up housing.

Materials:-

SPA housings can be supplied in following materials.

- (1) Cast steel
- (2) High Grade grey cast iron
- (3) Spheroidal graphite iron (Ductile Iron)



Note: it is important to specify the bearing housing requirement as-

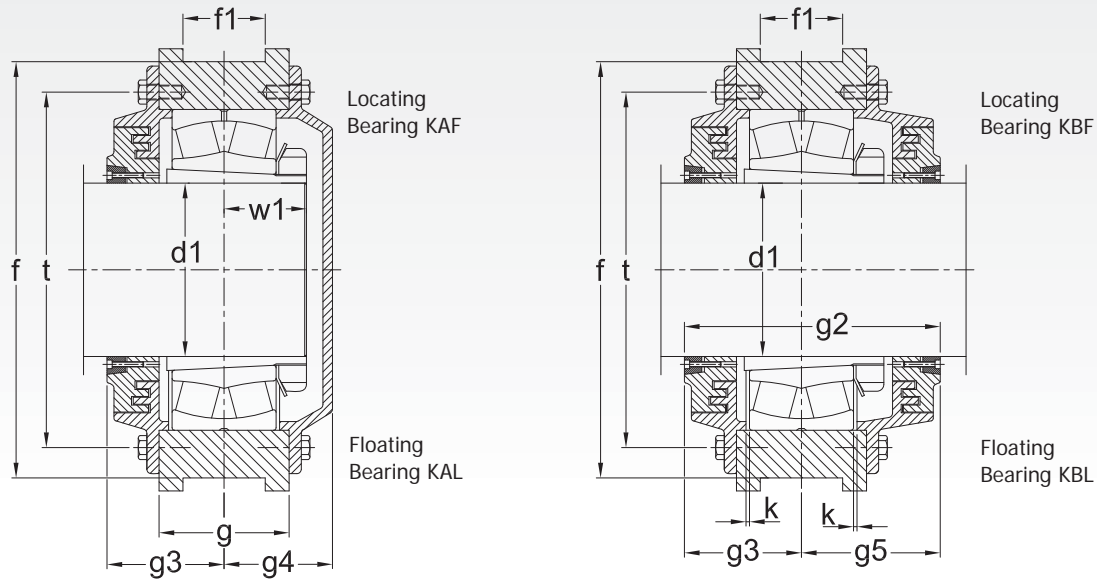
- (1) **AL** Housings for shaft end, with end cover, for non-locating bearing.
- (2) **AF** Housings for shaft end, with end cover, for locating bearing.
- (3) **BL** Housings for through shaft, for non-locating bearing.
- (4) **BF** Housings for through shaft, for locating bearing

SPA SERIES

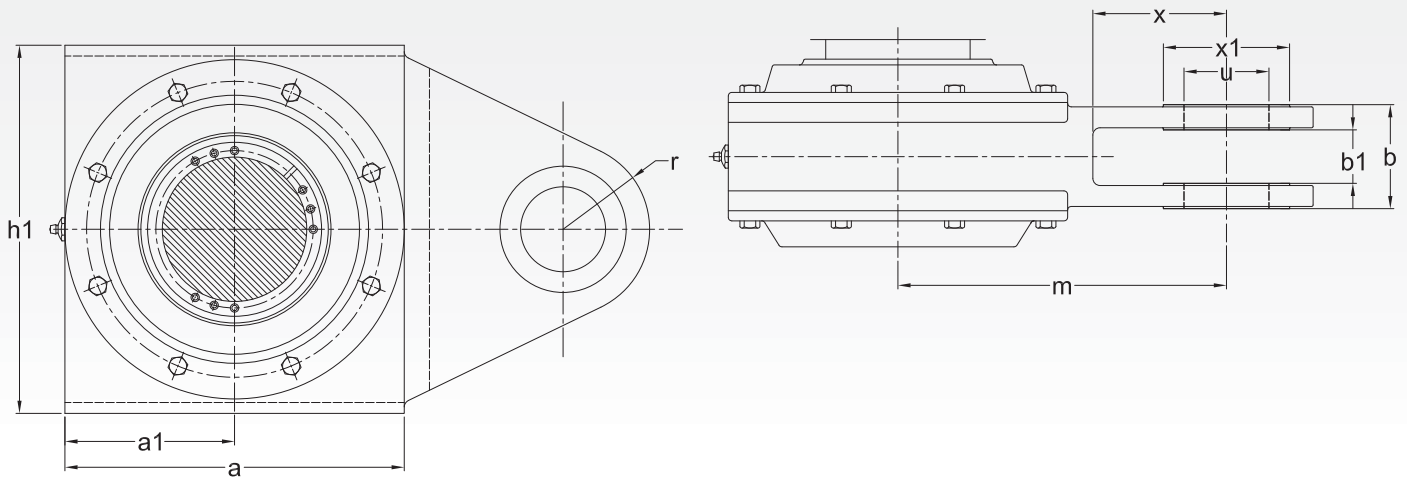
Masta[®]
PRECISION HOUSINGS



SPA TAKE-UP BEARING HOUSINGS FOR BEARINGS WITH TAPERED BORE AND ADAPTER SLEEVE



Shaft dia mm	Designation of Housing	Spherical Roller Bearing	Adapter Sleeve	Weight (Approx) Housing kg	Fixing bolt cover	Quantity
50	SPA 2211K	22211K	H 311	9	M8	12
55	SPA 2212K	22212K	H 312	10	M8	12
60	SPA 2213K	22213K	H 313	10	M8	16
70	SPA 2216K	22216SK	H 316	17	M8	16
80	SPA 2218K	22218SK	H 318	25	M8	16
90	SPA 2220K	22218SK	H 320	26	M8	16
100	SPA 2222K	22222SK.MB	H 322	27	M8	16
110	SPA 2224K	22224SK.MB	H 3124	30	M8	16
125	SPA 3028K	23028SK.MB	H 3028	48	M10	16
	SPA 2228K	22228SK.MB	H 3128	61	M10	16
135	SPA 3030K	23030SK.MB	H3030	58	M12	16
140	SPA 3132K	23132SK.MB	H 3132HG	120	M12	16
150	SPA 3034K	23034SK.MB	H 3034HG	85	M12	16
	SPA 3034K	23034SK.MB	H 3034HG	180	M12	16
	SPA 3134K	23134SK.MB	H3134HG	150	M12	16
170	SPA 3038K	23038SK.MB	H3038HG	130	M16	16
180	SPA 3140K	23140BK.MB	H 3140HG	165	M16	16
200	SPA 3044K	23044K.MB	H3044XHG	180	M16	16
	SPA 3144K	23144BK.MB	H3144XHG	260	M16	16
220	SPA 3148K	23148BK.MB	H 3148 XHG	315	M20	16
240	SPA 3052K	23052K.MB	H 3052 XHG	235	M16	16
	SPA 3152K	23152K.MB	H 3152 XHG	325	M24	16
	SPA 3252K	23252BK.MB	H2352XHG	410	M20	16
280	SPA 3160K	23160BK.MB	H3160HG	440	M24	16
	SPA 2260K	22260K.MB	H3160HG	525	M20	16
	SPA 3260K	23260K.MB	H 3260 HG	620	M24	16
320	SPA 3168K	23168BK.MB	H3168HG	630	M 24	16
	SPA 3268K	23268BK.MB	H 3268HG	635	M24	16
340	SPA 3272K	23272BK.MB	H 3272HG	885	M 24	16
360	SPA 3176K	23176K.MB	H 3176 HG	700	M 24	16
	SPA 3276K	23276BK.MB	H 3276 HG	900	M30	16



Housing Dimensions (in mm)

Bore mm	d1	w1	a	a1	b	b1	f	f1	g	g2	g3	g4	g5	h1	k	m	r	t	u	x	x1
55	50	27	150	75	42	22	135	34	50	109	49	35	60	150	2	105	30	115	20	30	-
60	55	30	165	82.5	50	26	150	43	60	120	54	40	66	165	2	120	35	125	25	37.5	-
65	60	35	160	80	66	30	155	53	78	135.5	62.5	53	73	180	2	145	40	135	30	65	60
80	70	40	180	90	66	30	175	53	78	145	67	58	78	200	2	155	40	155	30	65	60
90	80	45	210	105	66	30	200	53	78	168.5	78.5	63	90	230	2	170	40	180	30	65	60
100	90	46	235	117.5	70	36	220	40	69	170	80	65	90	250	1.5	185	40	205	35	67.5	65
110	100	55	255	125	76	40	240	53	78	189	94.5	68	94.5	270	1.5	200	45	220	40	70	70
120	110	58	275	135	76	40	260	53	78	180	85	69	95	290	1.5	210	45	240	40	70	70
140	125	55	260	130	150	60	270	45	70	156	68	68	88	300	3	225	70	235	50	90	90
140	125	65	315	155	76	40	300	53	83	226	113	78	113	330	3	230	45	275	40	70	70
150	135	60	280	140	150	60	290	45	85	194	82	82	112	320	2	235	70	250	50	90	90
160	140	78	370	185	132	62	340	65	116	229	108	108	121	370	3	350	90	300	61	160	100
170	150	68	325	162.5	150	60	330	65	102	201	88	88	113	360	2	260	70	285	50	90	90
170	150	68	340	160	150	62	500	65	102	201	88	88	113	540	2	440	150	285	100	250	250
170	150	80	375	187.5	132	62	370	65	120	249	113	113	136	400	3	395	90	330	60	180	100
190	170	72	375	180	150	60	400	65	105	211	93	88	118	440	3	290	70	325	50	90	90
200	180	95	420	210	140	70	410	100	140	270	120	115	150	440	1.5	360	80	380	60	140	100
220	200	80	430	210	200	70	440	65	120	241	103	103	138	480	3	325	80	375	60	100	100
220	200	95	470	235	144	74	480	65	150	295	135	125	160	510	4	530	120	410	100	260	140
240	220	110	520	260	215	123	500	65	152	328	149	129	179	540	4	515	150	455	100	250	250
260	240	94	500	245	215	123	500	65	135	261	113	113	148	540	1.5	515	150	440	100	250	250
260	240	115	550	275	225	135	540	80	175	336	150.5	140.5	185.5	570	4	565	150	490	100	270	250
260	240	130	596	298	240	173	570	103	205	375	167.5	157.5	207.5	610	3	615	150	535	100	300	240
300	280	130	630	315	270	170	610	130	190	385	170	170	215	650	4	650	150	550	100	310	200
300	280	120	660	330	220	150	640	80	177	370	174.5	160.5	195.5	680	4	630	170	600	105	280	-
300	280	145	680	340	270	190	650	115	230	404	182	187	222	690	4	680	180	600	100	310	260
340	320	160	740	370	300	180	700	150	220	445	200	200	245	740	4	720	200	630	120	310	240
340	320	210	735	385	300	213	700	123	265	475	203	238	272	740	5	750	200	680	110	310	-
360	340	190	800	400	330	213	790	123	275	509	227	222	282	830	5	765	225	710	130	310	280
380	360	170	750	375	300	200	740	120	230	459	202	202	257	790	5	750	200	680	110	320	230
380	360	220	810	405	300	213	780	123	295	529	232	257	297	820	5	780	200	730	110	305	-